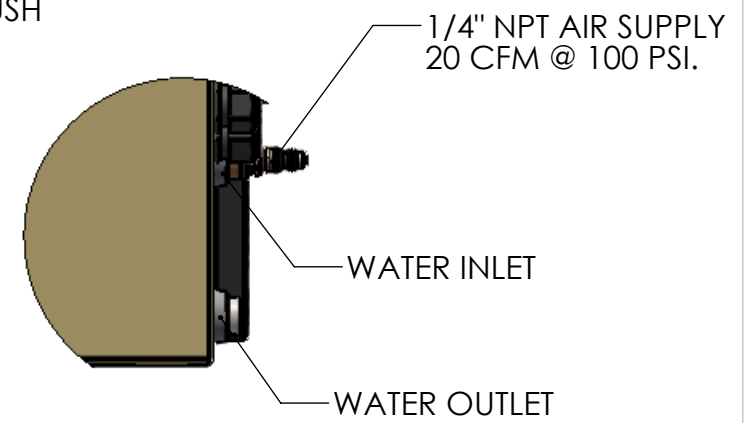


DO NOT COPY

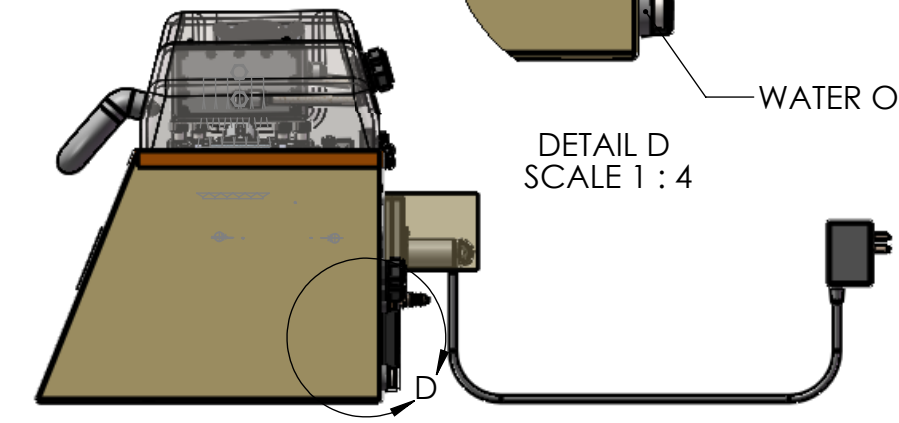
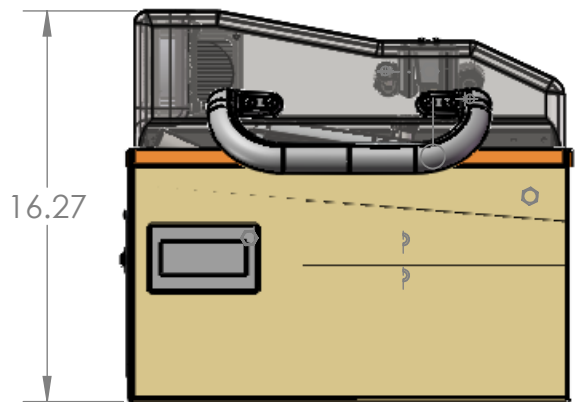
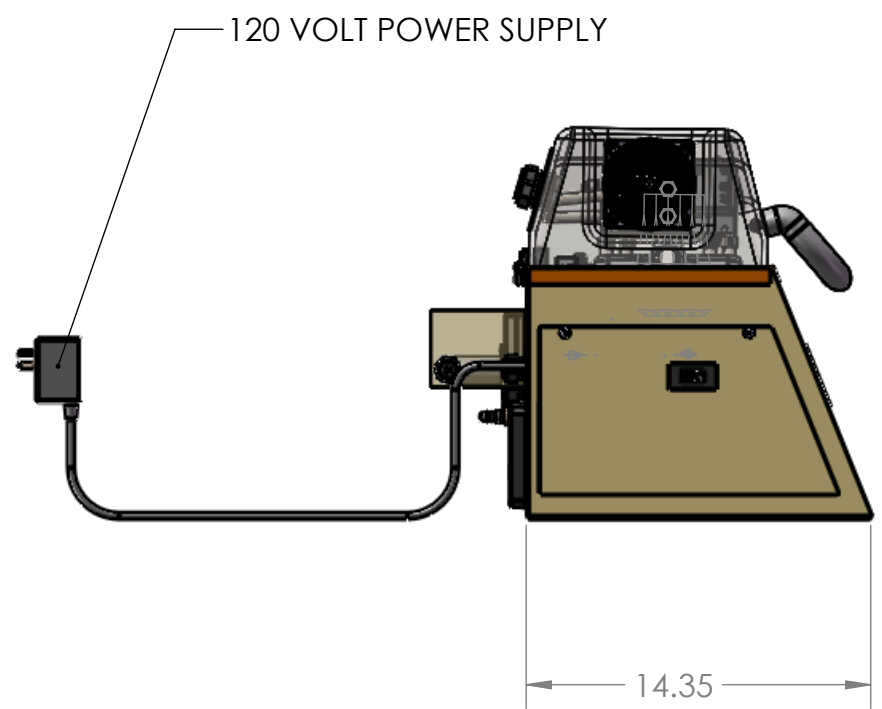
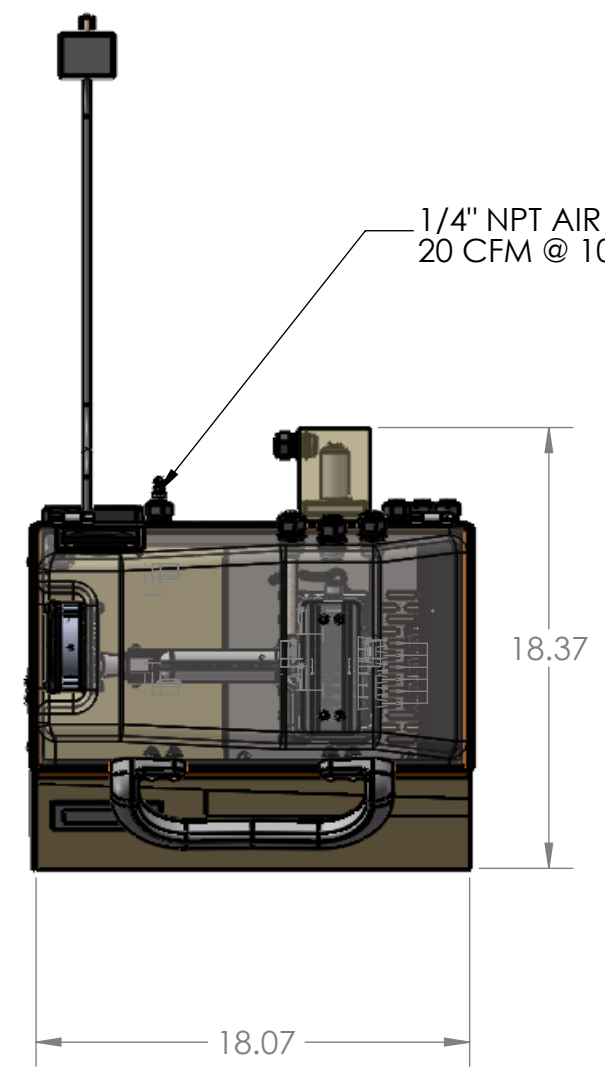
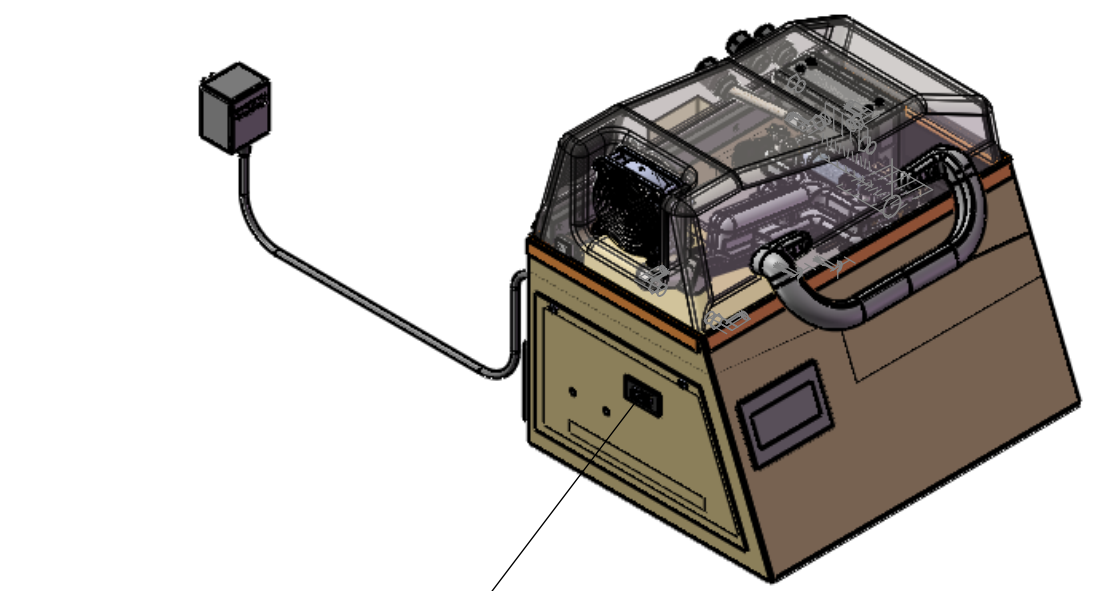
REV	ZONE	DESCRIPTION	DATE	AUTH
A	-	RELEASE		

ITEMS NEEDED FOR START UP:

- 120 VOLT GFCI
- ONE 3/4" GARDEN HOSE THREAD (GHT) FEMALE FOR INLET (7/8-14) CONNECTED TO WATER SUPPLY
- ONE 3/4" GARDEN HOSE THREAD (GHT) MALE FOR OUTLET (7/8-14) 3' IN LENGTH.
- NON FLAMABLE CLEANING SOLUTION
- 1/4" NPT AIR SUPPLY 20 CFM @ 100 PSI.
- DRAIN PAIL (5 GALLON PAIL RECOMENED)
- SPRAY BOTTLE
- SMALL BRUSH



DETAIL D
SCALE 1 : 4



ALL SURFACES TO BE FREE FROM NICKS AND SCRATCHES
NOTE: DEBUR ALL SHARP EDGES AND CORNERS UNLESS NOTED OTHERWISE

PROPRIETARY AND CONFIDENTIAL
This Drawing, its contents, and the business methods, components, concepts, designs, methodologies, processes, trade secrets, and other intellectual property shown herein are the valuable, confidential and proprietary property and trade secrets of Integrity Engineering, Inc. Unless and only to the extent otherwise explicitly stated in a written statement signed by Integrity Engineering, Inc.'s President, Integrity reserves all ownership, right, title, and interest in and to the same and does not grant any rights to copy, disclose, or use any of the same. Any copies of this Drawing that may be allowed must contain the entire Drawing, including, without limitation, this statement, the following copyright notice, and the rest of the notice and information block that this statement is part of, and any such copies are subject to all of the restrictions stated herein.
©2007 Integrity Engineering, Inc.
All Rights Reserved

ALL THREADS CLASS: 2A/2B UNLESS NOTED	DIMENSIONS ARE IN INCHES TOLERANCES: FRACTIONAL: ± 1/16 ANGULAR: MACH ± 1/2° TWO PLACE DECIMAL ± .015 THREE PLACE DECIMAL ± .005
NEXT ASSY	MATERIAL
APPLICATION	DECORATION

NAME	DATE
DRAWN	
ENG APPR.	
Q.A.	
MFG APPR.	
DO NOT SCALE DRAWING	
NOTES:	

QTY:

PERFECT PROOFER

**Cor - WASH
Layout Assembly**

SIZE	DWG. NO.	REV.
B	COR WASH FOOTPRINT	
SCALE: 1:12	WEIGHT:	SHEET 1 OF 1